



**EXTERNAL STEEL DOOR Q
TWO-SIDED, OUTWARD OPENING**

ver02

Recommended use

External door used in residential buildings, multi-storey apartment buildings, industrial buildings or offices.

CE-marking

Doors meet the requirements according to the product standard EVS-EN 14351-1:2006+A2:2016

Dimensions

Maximum dimensions of the door frame (width x height) are 2760 x 2920 mm. Maximum dimension of active door leaf (BA) is 1400 mm.

Properties

Watertightness, EN 1027, class*	4A
Air permeability, EN 1026, class*	2
Resistance to wind load, EN 12211, class*	C2
Sound insulation: Rw; Rw+C; Rw+Ctr, EN ISO 717-1*, dB	32; 31; 29
Resistance to repeated opening and closing, EN 1191, class*	5; 100000 cycles
Thermal transmittance, EN 10077*	1,54 W/(m²K)

*Declared values depend on the size of the door.

Construction

Door leaves are 64 mm thick. Rebates are at sides and top. External and internal sides are made of 1,0 mm hot-dip galvanized steel sheets connected with rivets. Insulation material is mineral wool. The rigidity of the door leaf is achieved via gluing together the metal and the insulation material. There are 2 hinges per door leaf with ball bearings.

Frame is made of hot-dip galvanized steel sheet profiles with a thickness of 1,5 mm, connected at the corners with screws and rivets. Frame can be ordered with cover slat covering lateral installation slots (type YM) or without cover slat for recessed installation (type YS). Seal is made of silicon rubber and is fitted into the groove of the frame.

Threshold is made of hot-dip galvanized steel sheet.

Finish

Door is coated with epoxy powder primer and polyester powder coating. Standard tones are RAL7001 (silver gray), RAL7024 (graphite grey), RAL8014 (sepia brown), RAL9006 (white aluminum) and RAL9010 (pure white). Alternatively the door can be painted with epoxy primer and two component polyurethane paint in all the tones of RAL catalogue.

Locks

Doors can be equipped with locks from well known companies such as Abloy, Boda, Assa and Nemeff. For evacuation doors it is obligatory to use special panic locks.

Installation

Frame is fixed from eight points. Threshold is fixed from two points. Fixing apertures are covered with plastic plugs. Installation gap will be filled with mineral wool or construction foam after fixing. Package includes fixings and plugs. For more details see installation manual.

Accessories

- stainless steel threshold, sloped threshold
- window, peephole, ventilation grill, kickplate
- lock case, core, core covers, door handle, door closer
- border slats
- security package: 1,50 mm steel sheet for internal or external side, 2 security pins per door leaf

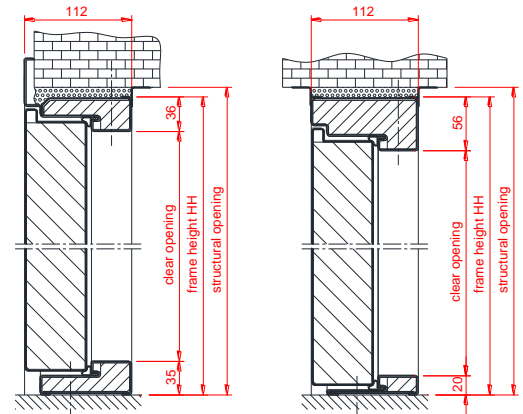
Maintenance

Door must be checked and maintained at least once every six months. Check closing of door and operation of locking elements. Detailed information is available in maintenance manual. It is possible to sign a maintenance contract upon purchasing the door.

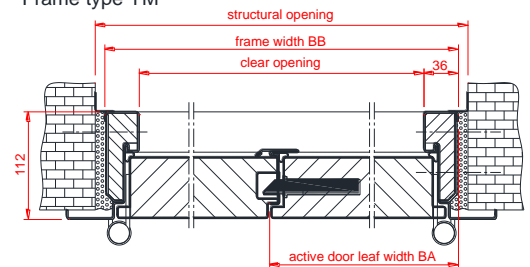


Frame type YM

Frame type YS



Frame type YM



Frame type YS

