



**GARAGE DOOR for 3000x2220mm aperture**

FINGER PROTECTION, STANDARD COLOUR

version 01

**General Information**

The garage door is meant for private houses or apartment buildings. Door construction needs little space and seals on the side will ensure the door to be weatherproof and minimize heat loss. Sections are designed with finger protection so that it is impossible to put fingers between the panels.

**Dimensions**

Construction aperture: width (B) 3000 mm; height (H) 2220 mm  
 Lintel height (h): >350  
 Dimensions of light aperture = dimensions of construction aperture  
 Thickness of door sheet: 40 mm  
 Free lateral space (PL\*): >100

**Door Leaf**

The door leaf is assembled from 40 mm thick insulated sections. For insulation dense freon free polyurethane foam is used. The foam is packed between sheets of Stucco embossed galvanized steel. Steel sections are coated with weatherproof polyester colour. Standard tones are inside white RAL9010 and outside white RAL9010, brown RAL8014. Thermal transmittance of the door sections is  $U \geq 0,9 \text{ W}/(\text{m}^2 \cdot \text{K})$ .

**Guiding System**

Guiding tracks are installed inside the room. Tracks along which the door moves up and down with the help of rollers are manufactured from 1,5 mm thick galvanised steel. The system is suitable for apertures where the room above lintel (h) is more than 350 mm and space on the sides (PL\*) is more than 100 mm.

**Balancing**

Highest quality torsion springs are used to balance the door leaf. Standard lifespan of springs is 15 000 cycles.

**Seals**

EPDM rubber seals are used on the upper and lower edge of the door. On sides special PVC and rubber (TPM) seals are used. Seals are also placed in between the panels.

**Maintenance**

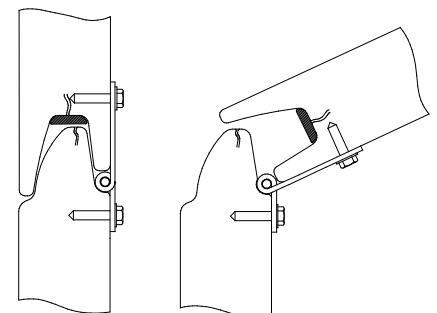
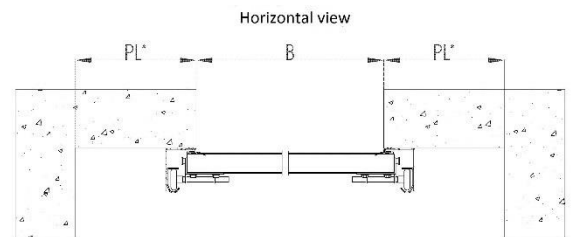
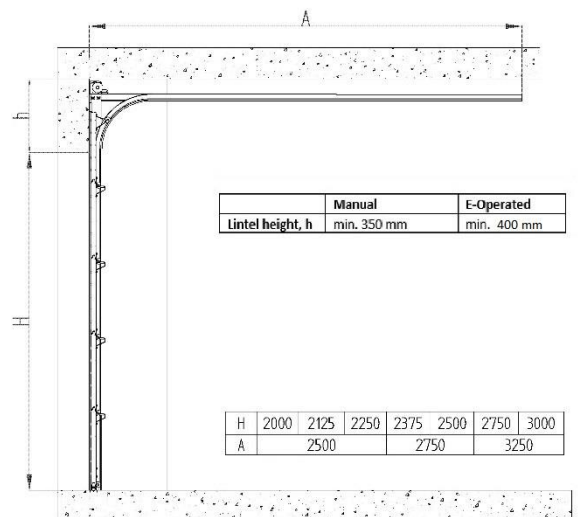
Depending on the usage intensity of the door, a specialist with appropriate training must service the door after every 1,800 cycles. This must be done at least once per year – the usage life of the door will be significantly longer this way. It is possible to sign a maintenance contract upon purchasing the door.

**Automatics**

Sommer APERTO 868L 500N automation system is optimally fitting with garage door. Aperto automatics is ultra-quiet and safe thanks to the Dynamic Power System (DPS) and Safety Lock System (SLS), and it works at a speed of up to 0.16 m/s (50% faster than the competitors' automation systems in the same price range).

**Standard**

The garage door is manufactured according to harmonized standard EN 13241:2003+A2:2016.



Panel with finger protection