



Installation manual for metal door counter frame



Attention! General warnings!

A series of precautions must be taken to install a counter frame. For safety reasons pay attention to following warnings and instructions! In case of doubt contact the supplier. This manual is meant for experienced installer.



This manual includes only the installation of a counter frame. Additional elements require separate instructions.



Read this manual carefully before installation.



Certain parts of this product may have sharp edges. Protective gloves are recommended.



Make sure that there is enough light in the installation area. Remove dirt and nonessential items. Unauthorized persons (especially children!) may get hurt if present.

In case of questions contact AS Saku Metall Uksetehas.



1 TOOLS AND FIXINGS

1. $\text{Ø}4,2$ mm self-drilling screws: attaching counter frame to the jamb.
2. $\text{Ø}3,2$ mm pop rivets: assembling the counter frame corners.
3. $\text{Ø}19$ mm plastic caps.
4. A drill with $\text{Ø}3,2$ mm drill bit and screwdriver bit.
5. Utility knife.

2 ORDER OF INSTALLATION

1. Upon placing the parts on floor or ground use rubber, board, wood or plastic material for protection of paint layer.
2. Check the presence of fixings and tools.
3. If the door jamb was installed using expanding foam, cut a groove along the jamb perimeter to make room for counter frame installation. The groove has to be approximately 35 mm deep and 1 to 2 mm wide. Make sure not to damage the paint on the door jamb. If the jamb was installed using mineral wool, ensure there is enough room to install the counter frame. If necessary cut a groove along the jamb perimeter. (Figure 2.1)

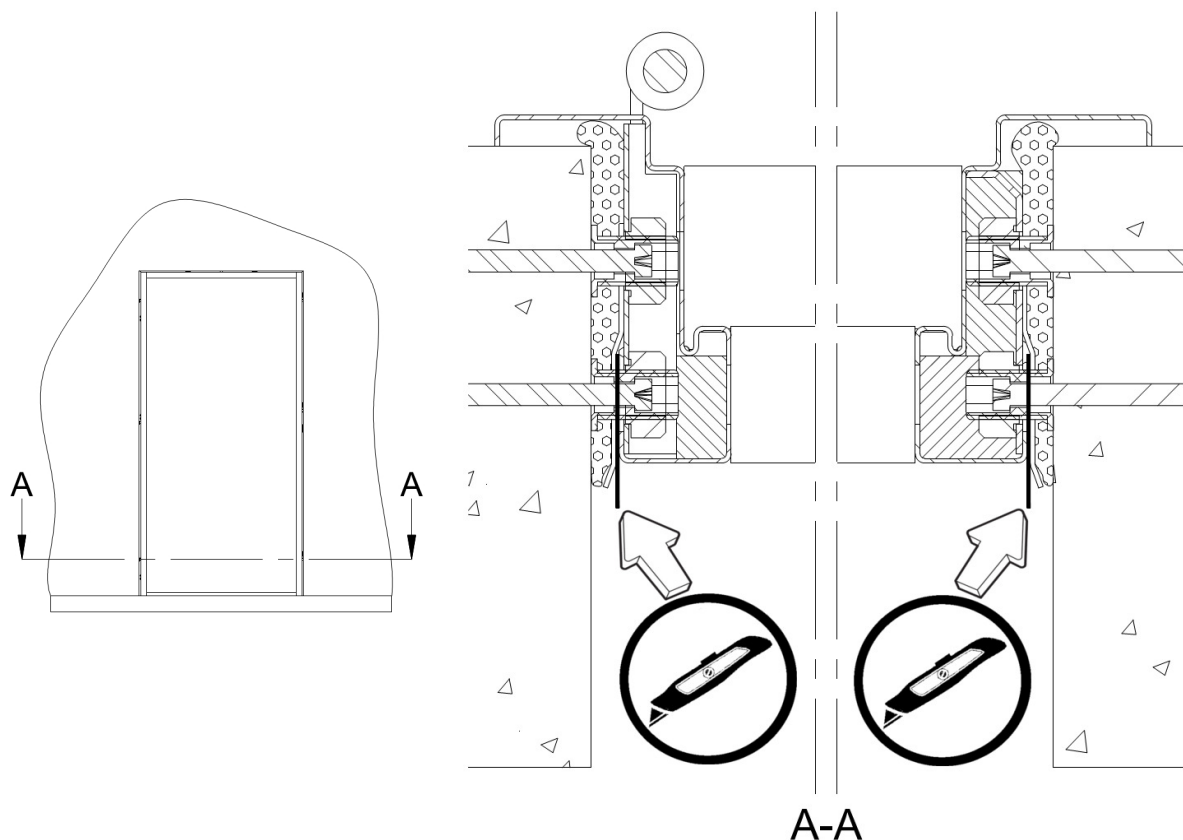


Figure 2.1 Cutting a groove along the jamb perimeter.



4. Bend both ends of the counter frame top element along the perforation to an angle of 90°. (Figure 2.2)

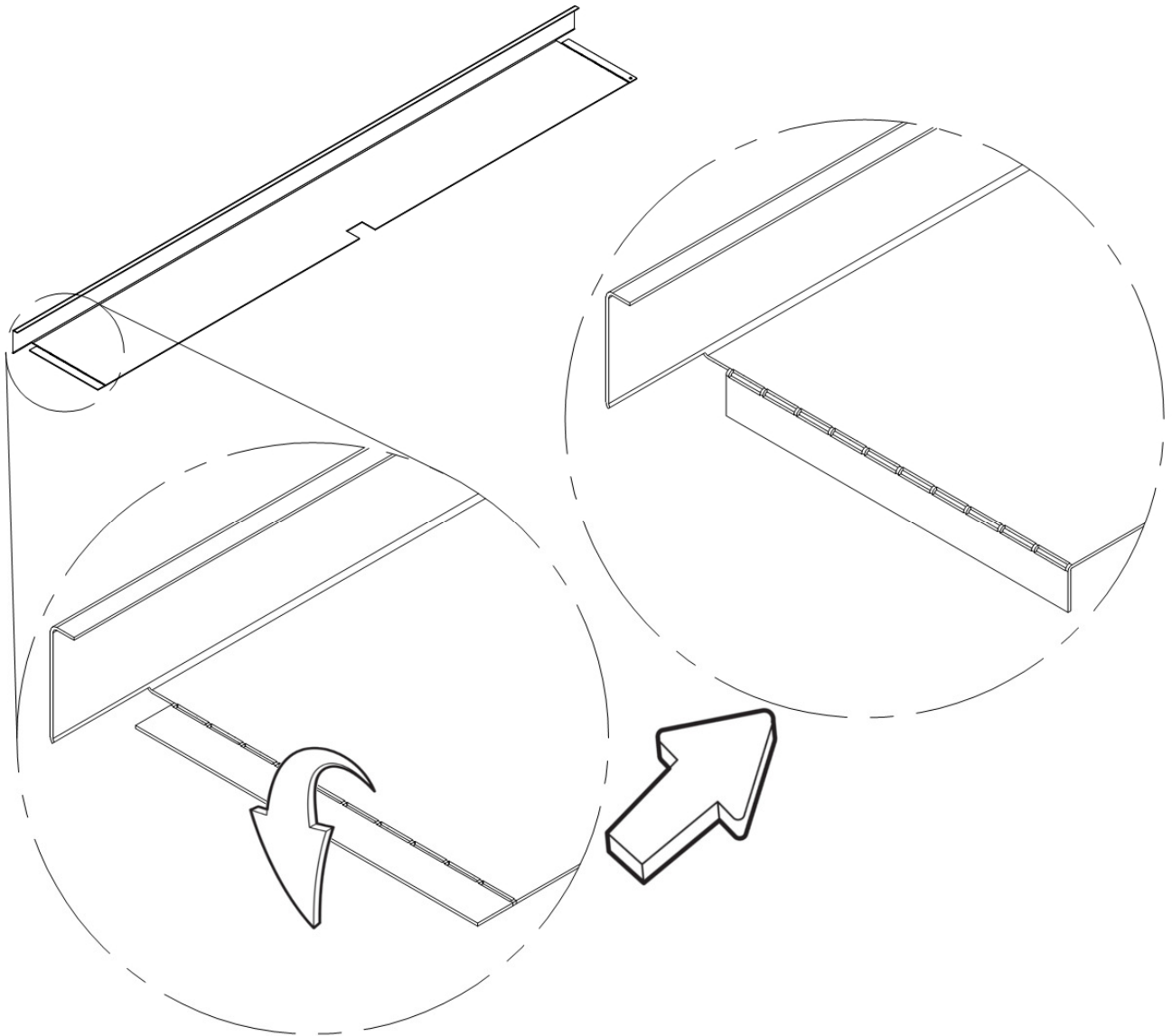


Figure 2.2 Bending the ends of the counter frame top element.

5. Install the counter frame on the jamb. Make sure not to damage the paint. The top of the counter frame must be installed first. Align it between the catchers and the door jamb and slide it forward until the reversed topmost edge touches the wall. (Figure 2.3)
6. Install one of the side elements of the counter frame. Slide it forward between the catchers and the door jamb. The bent edge of the top counter frame part must be on the outer surface of the vertical counter frame part. (Figure 2.3)
7. Repeat previous step with the other side element. (Figure 2.3)

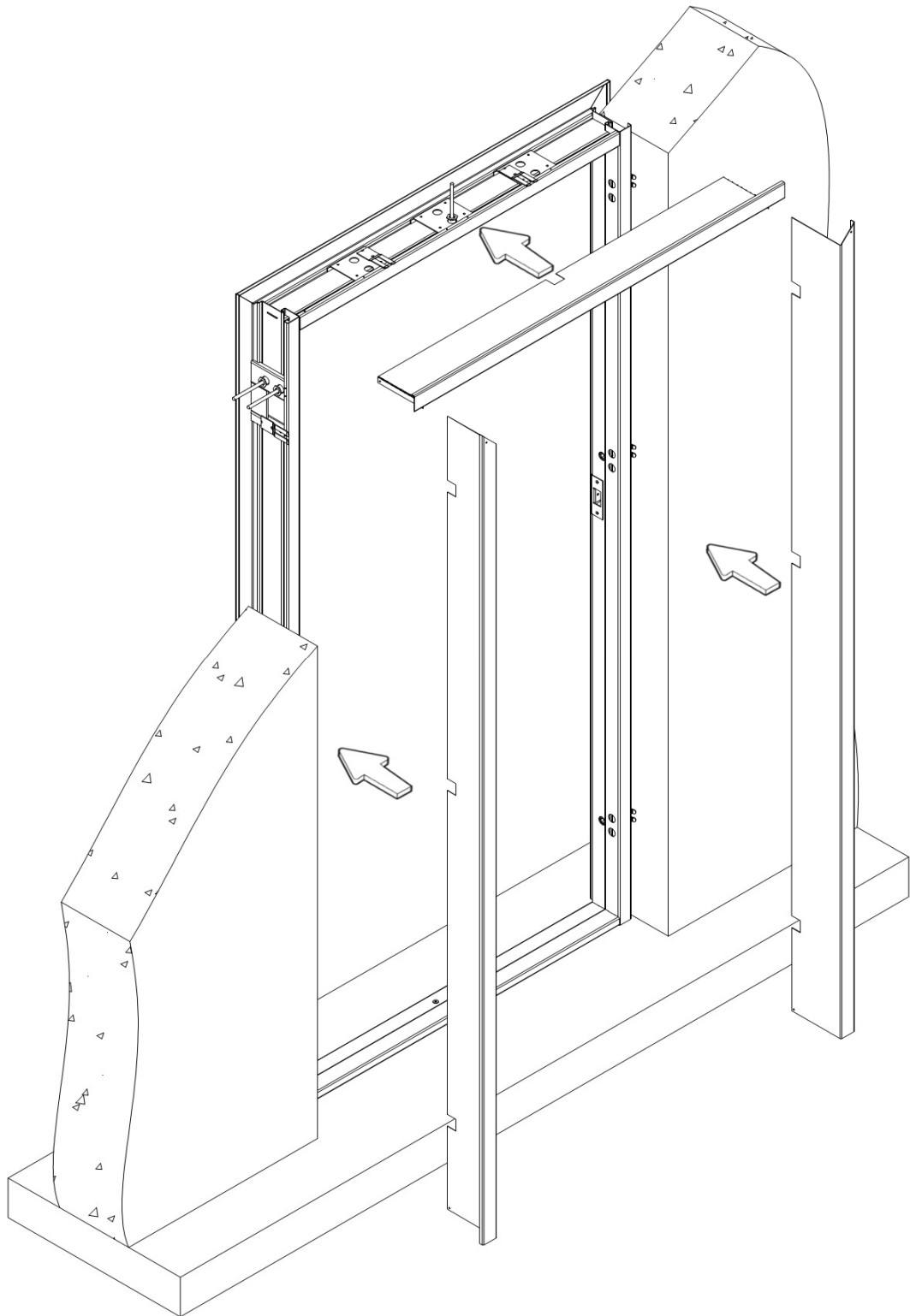


Figure 2.3 Sliding counter frame on jamb.



- Using $\text{Ø}4,2$ mm self-drilling screws, fix the counter frame to the jamb through premade holes in the jamb and jamb plates. The counter frame is going to rest between the jamb edge and catchers. Make sure the counter frame is aligned properly. (Figure 2.4, 2.5)

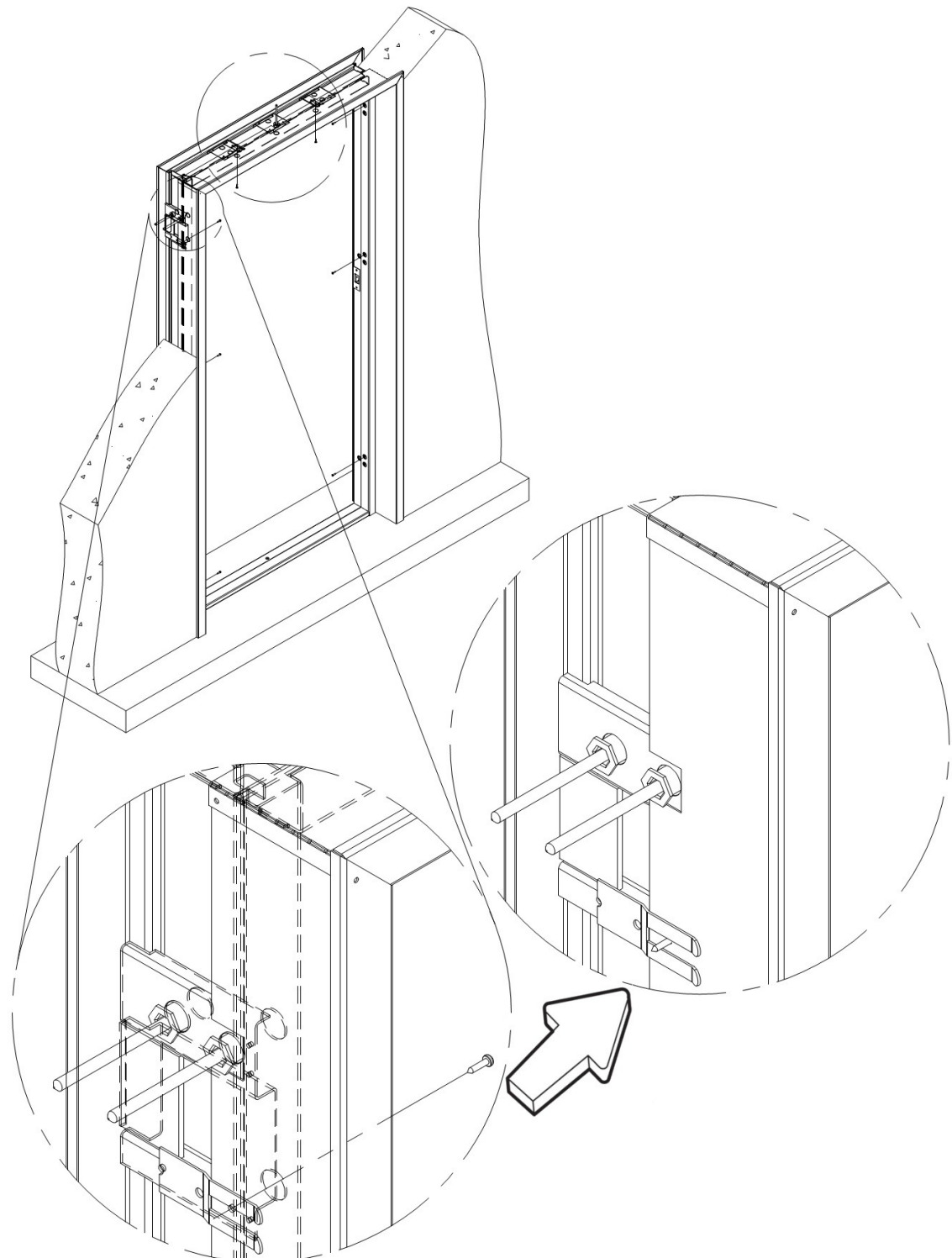


Figure 2.4 Fixing counter frame to the jamb.

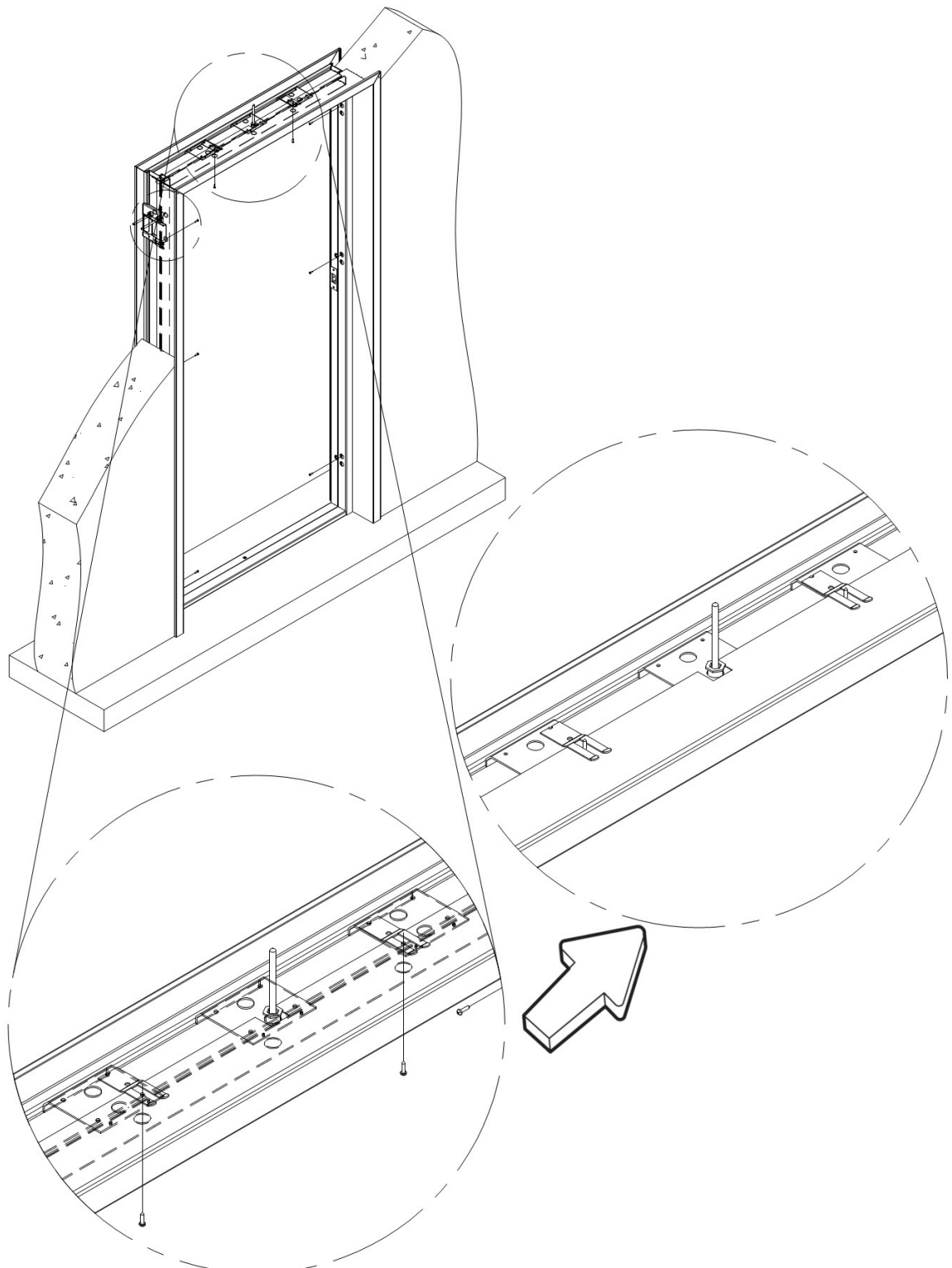


Figure 2.5 Fixing counter frame to the jamb.



9. Fix the corners of the counter frame. Drill $\text{Ø}3,2$ mm holes in the top counter frame element through already existing holes in the side elements. Insert a poprivet. (Figure 2.6) If necessary, the poprivets may be substituted with self-drilling screws. In that case pre drilling is not necessary.

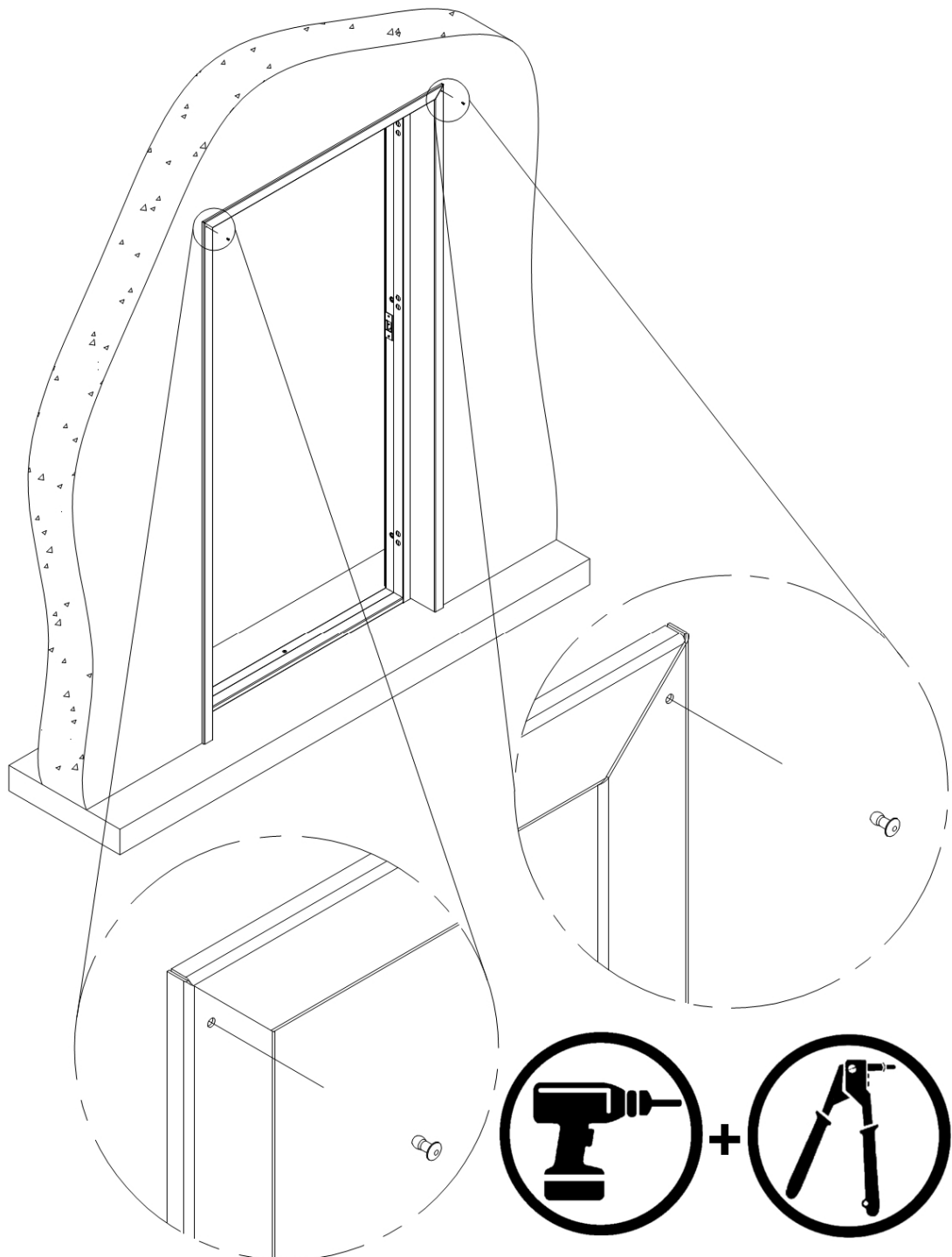


Figure 2.6 Fixing counter frame corners.



10. Cover the $\varnothing 19$ mm holes in the jamb with plastic caps. (Figure 2.7)

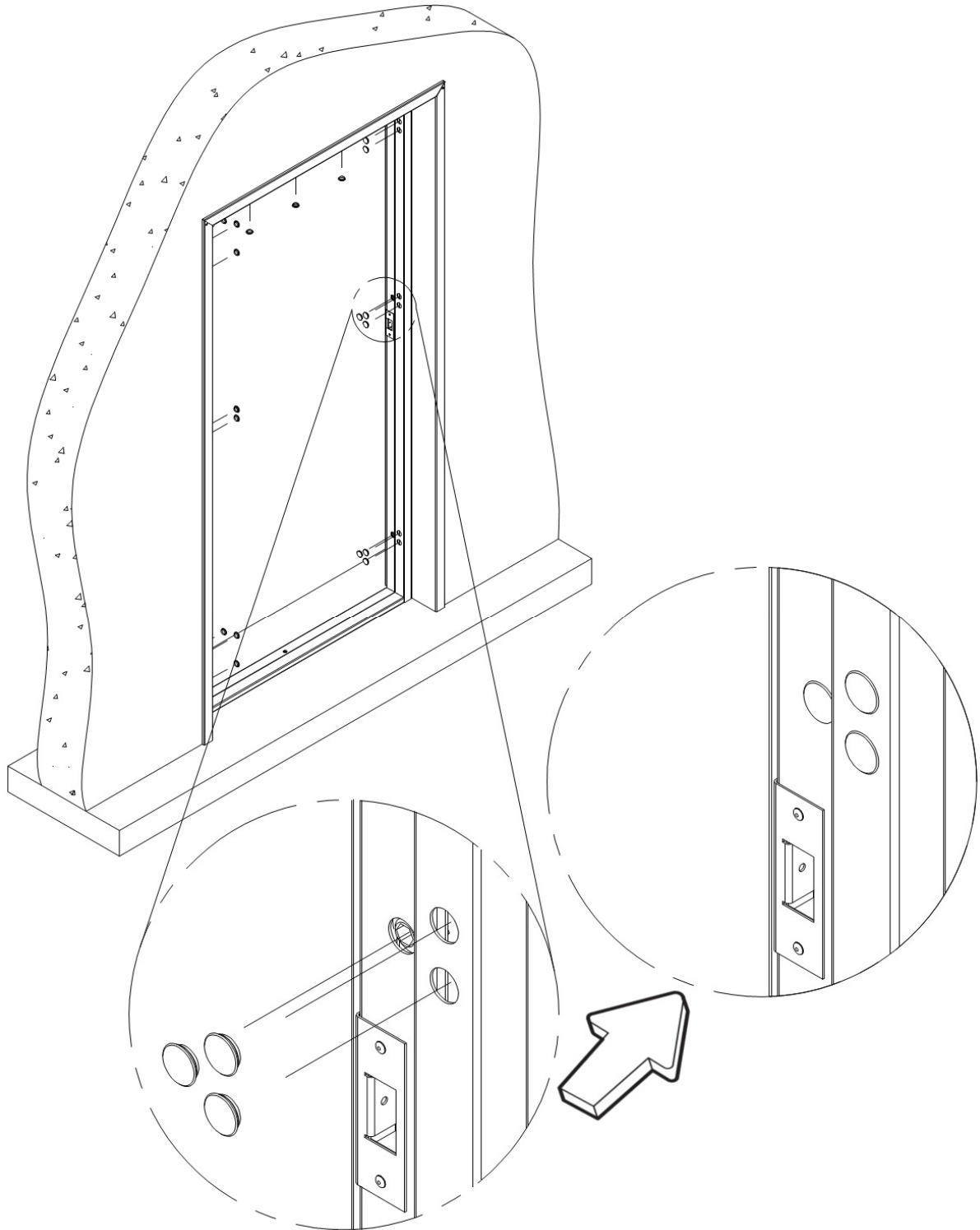


Figure 2.7 Inserting plastic caps.