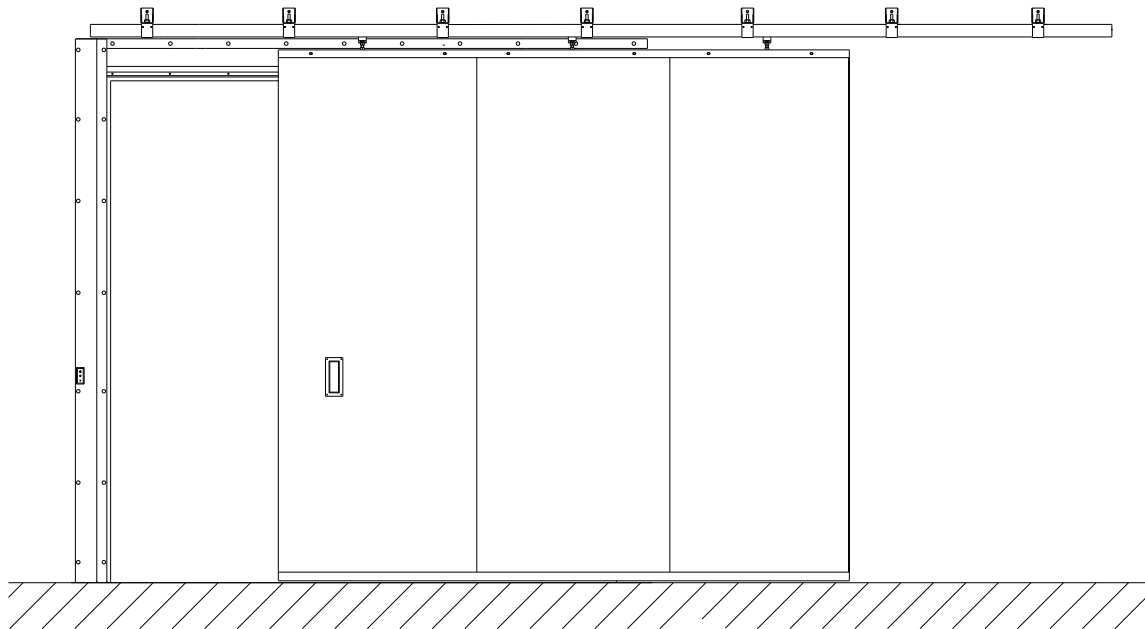













Installation manual for fire-resistant steel sliding door FL75 EI60 (MFD091)





Attention! General warnings!

A series of precautions must be taken to install this door. For safety reasons pay attention to following warnings and instructions! In case of doubt contact the supplier. This manual is meant for experienced installer.

-  This manual only covers the door installation. Additional elements require separate instructions.
-  Read this manual carefully before installation.
-  Certain parts of this product may have sharp edges. Protective gloves are recommended.
-  Parts of the door are heavy. Use of lifting devices is recommended!
-  All parts needed for the installation of this sliding door are included in the package except insulation material between the wall and the frame and support blocks. Adding other elements may affect safety and warranty.
-  Ensure sufficient lighting in the installation area. Remove unnecessary items and dirt. Unauthorized persons (especially children!) may get hurt if present.
-  Make sure that the wall is strong enough for the installation. In case of any doubts contact the constructor.
-  In case the sliding door is installed with a supporting frame, make sure the frame is securely attached to the bearing structure of the building.
-  If the installation is not in accordance with the instructions and if locks and materials not specified by the manufacturer are used for the door set, the door will lose its performance properties. In this case, the door does not meet its certification and declared properties, and the marking referring to the certificate must be removed from the door by the responsible of the works.

In case of questions contact AS Saku Metall Uksetehas.

Additional documents needed:

- Sliding door L75 installation specification
- Sliding door L75 installation specification drawings
- User- and servicing manual for automatics



1 FASTENERS

Table 1 contains information about the minimum recommended fasteners to be used according to the wall type.

Table 1.

	Track fixture	Lock post	Horizontal and vertical cover strip
Concrete	Hexagonal screw Ø8x100 mm, plastic dowel Ø10 mm	Hexagonal screw Ø8x100 mm, plastic dowel Ø10 mm	Hexagonal screw Ø6x50 mm, plastic dowel Ø8 mm
Lightweight concrete (Fibo, Aeroc, etc)	Threaded rod M10, nut M10, washer M10	Hexagonal screw Ø8x100 mm, plastic dowel Ø10 mm	Hexagonal screw Ø6x50 mm, plastic dowel Ø8 mm
Supporting frame, rectangular tube with minimum wall thickness 5 mm (for gypsum and sandwich panel walls)	Self-tapping screw M8x40 mm, washer M8	Self-tapping screw M8x40 mm, washer M8	Self-drilling screw Ø6,3x32 mm

Rock drill Ø 10 mm is to be used for pre-drilling into rock and concrete walls. Fixing holes in the lock post are covered with plastic caps Ø 19 mm.

2 ORDER OF INSTALLATION

1. Upon placing the door on the floor or on the ground use rubber, cardboard, wood or plastic material to protect the paint layer.
2. Check the presence of fixings and tools.
3. Check the construction aperture compliance to requirements. Dimensions of the construction aperture must be in accordance with the Sliding door L75 installation specification drawings.
4. Start with the installation of the hanging system. Drill holes for the track fixtures. The height and distance from the construction aperture edge for the first fixture is described on the Sliding door L75 installation specification drawings. Make sure all the holes are level. Track fixtures are spaced 500 mm or 700 mm apart (refer to Sliding door L75 installation specification drawings). Fix the first and last track fixture (Fig. 1, Fig. 2, Fig. 3).
5. Measure and cut the track to dimension (refer to Sliding door L75 installation specification drawings). If necessary use a special track extension joint to extend the track.
6. Slide all the track brackets on the track.
7. Attach the track brackets to the track fixtures. Hand-tighten the nuts.
8. Place the track with the fixtures on the wall and fix them using predrilled holes. The lock post side end of the track must be in line with the construction aperture edge. Ensure the track is parallel to the wall and horizontally level. Distance from the wall surface to the suspension bolts is 68 mm. (Fig. 4.)
9. Slide the hangers in the track. Insert end stops in both ends of the track.
10. Assemble the door panels (Fig. 5). Place wooden beams on the ground in front of the construction aperture, parallel to the track and perpendicular to the single door panels. Place the door panels on the wooden beams in the correct order and so that the holes



through which the panels are fixed to each other are facing up (the upper edge of the panel is facing away from the construction aperture). Using a load strap slide the panel edges into each other. Attach the upper covering strip to the panels with M10 x 100 bolts and nuts (Fig. 6). Attach the lower covering strip to the panels using Ø4,8 x 32 self-drilling screws (Fig. 7). Attach the cover strips on the upper and back edge of the door panels using Ø4,8 x 32 self-drilling screws (Fig. 8). Attach the panels to each other using Ø4,8 x 32 self-drilling screws (Fig. 9).

Insert the M16 hanger bolts into the holes in the upper covering strip (Fig. 10). The head of the hanger bolt must protrude the upper edge by ~50 mm.

11. Attach the 40 mm width covering strips on the panel assembly holes with pop rivets spaced ~300 mm.
12. Lift the assembled door panel upright (if necessary use the help of a lifting device) and place it so that it is possible to attach the hanger bolts to the hangers (Fig. 11, Fig 12). Tighten the hanger bolts until the door panel is hanging without support. Make sure the door panel moves without resistance. The door panel has to be set so that it is ~52 mm from the wall surface and hanging 10 mm from the floor. Make sure the door panel can move freely in the whole range of the track. Tighten the track bracket bolts. Check that the door panel is level.
13. Install the lock post. Place the lock post 20 mm from the construction aperture edge and rest the lower end on the floor. Mark the fixing points on the wall and drill the holes. Attach the lock post. Cover the fixing holes with plastic caps. Make sure the door panel can move into the lock post freely. (Fig. 13)
14. Attach the horizontal cover strip after checking the height of the construction aperture. The cover strip is attached either 5 mm, 20 mm or 35 mm from the edge of the aperture, refer to [Sliding door L75 installation specification drawings](#). Using recommended fasteners predrill holes and attach the horizontal cover strip. Make sure the cover strip is level, parallel to the door panel edge and in contact with the lock post. (Fig. 14)
15. Attach the vertical cover strip after checking the width of the construction aperture. The cover strip is attached either 5 mm, 20 mm or 35 mm from the edge of the aperture, refer to [Sliding door L75 installation specification drawings](#). Using recommended fasteners predrill holes and attach the horizontal cover strip. Make sure the cover strip is level and the upper end is in contact with the horizontal cover strip. (Fig. 14)
16. Move the door panel and ensure that it moves freely in the whole range. Check the gap between the door panel and the horizontal and vertical cover strips. If necessary adjust the hanger bolts and track brackets.
17. Attach the horizontal cover strip 2. Position it 10 mm from the upper edge of the door panel as described in the [Sliding door L75 installation specification drawings](#) (Fig. 15). Drill holes for the required fasteners. Make sure the side strip is level and parallel to the door panel upper edge.
18. Once certain the door panel moves and closes without resistance tighten the track brackets and adjust the end stops so that in the closed position the gap between lock post and door panel is ~6 mm and in the open position the edge of the door panel is in line with the aperture edge.
19. Attach the guide. Drill a hole in the floor 50 mm from the edge of the aperture and attach it using recommended fasteners. Adjust it so that the door panel moves parallel to the wall. (Fig. 13)
20. Using pop rivets attach the handles.



3 FILLING THE GAP BETWEEN THE LOCK POST AND THE WALL AND FINISHING

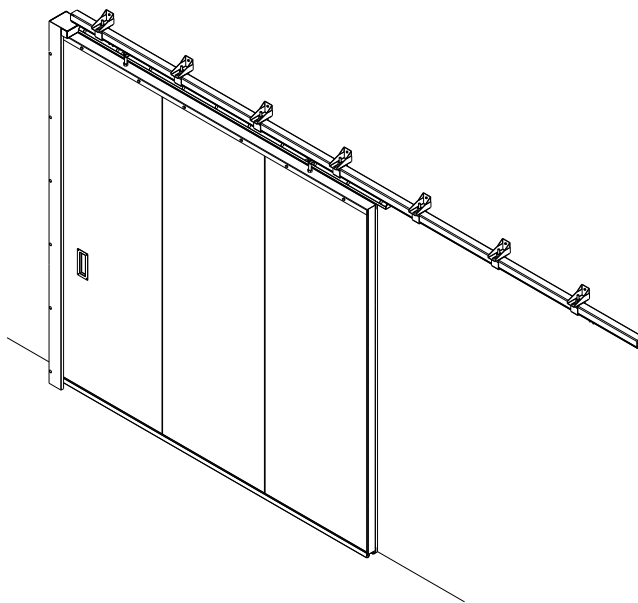
1. In case it is not possible to fix the lock post to the wall without a gap, the gap must be filled with mineral wool with density $>70\text{kg/m}^3$.
2. If necessary add fire-resistant distance blocks between the lock post and the wall to ensure a rigid fixture.
3. Cover the previously filled gap with a L- shaped cover strip if necessary.
4. Make sure the door moves without problems.

4 HARDWARE INSTALLATION

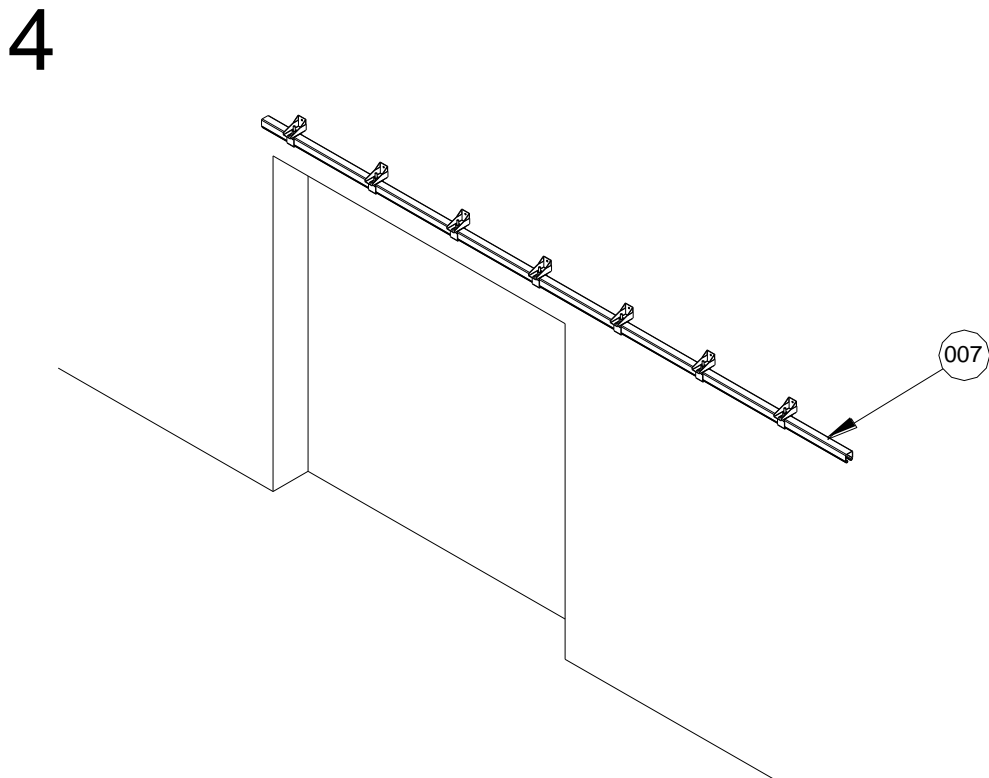
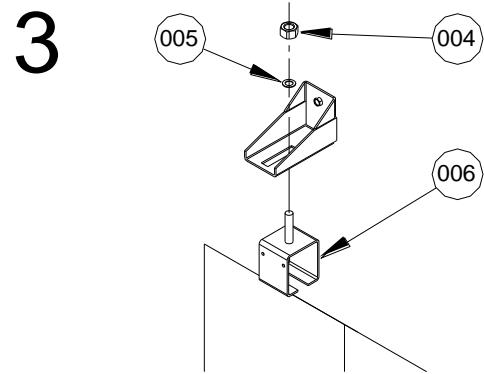
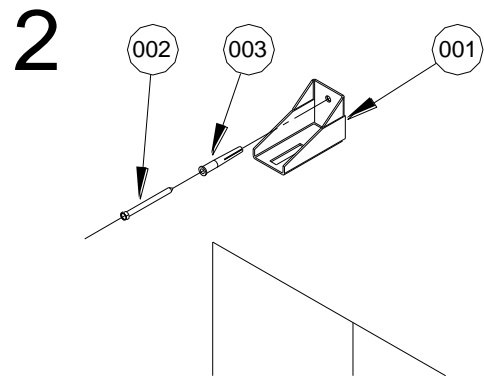
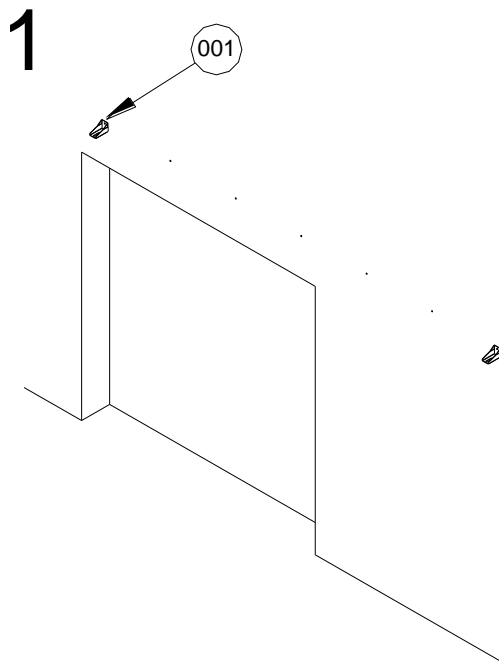
1. Install locks in accordance to the lock installation manual.
2. Check the locking and opening of the lock with a key.

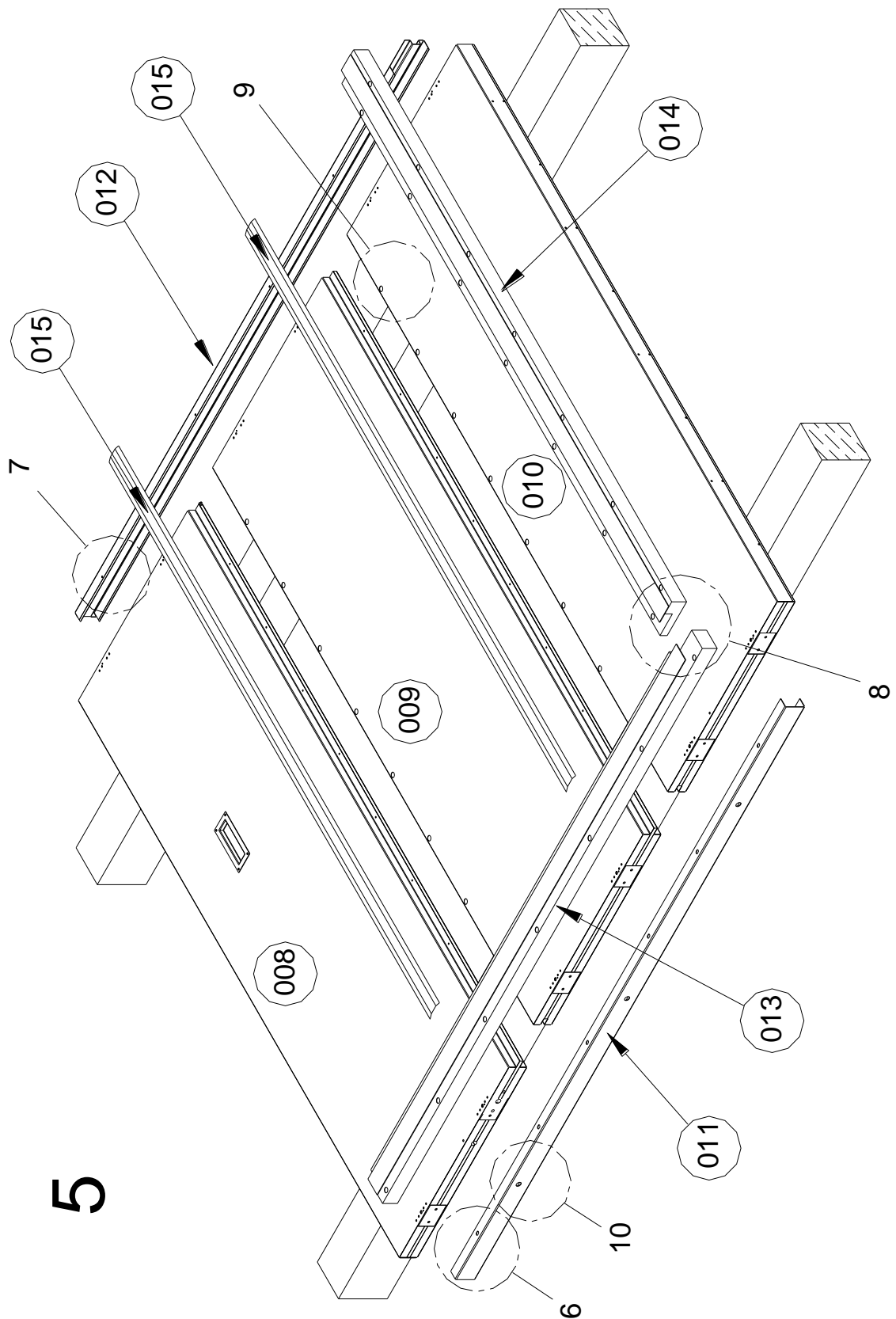
5 DOOR AUTOMATICS INSTALLATION

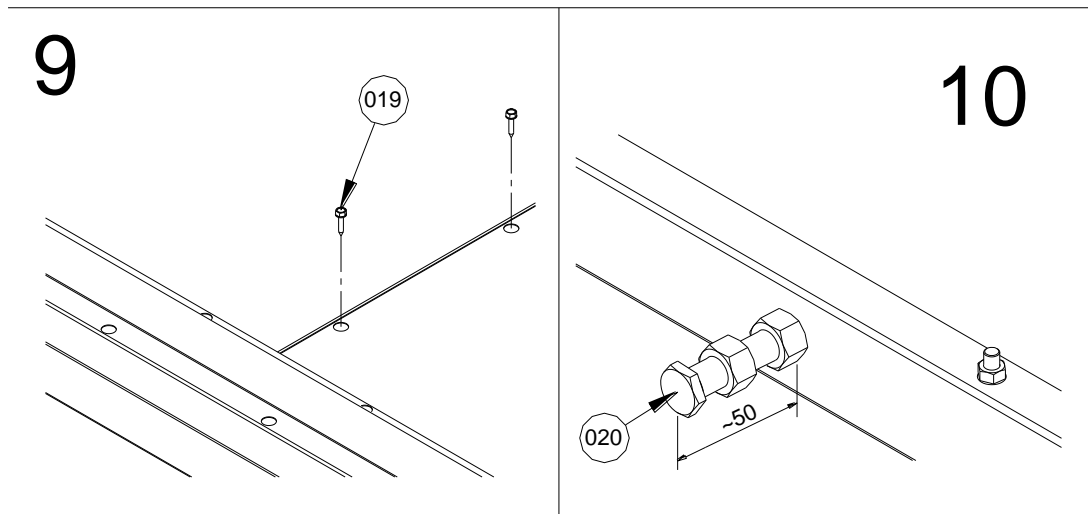
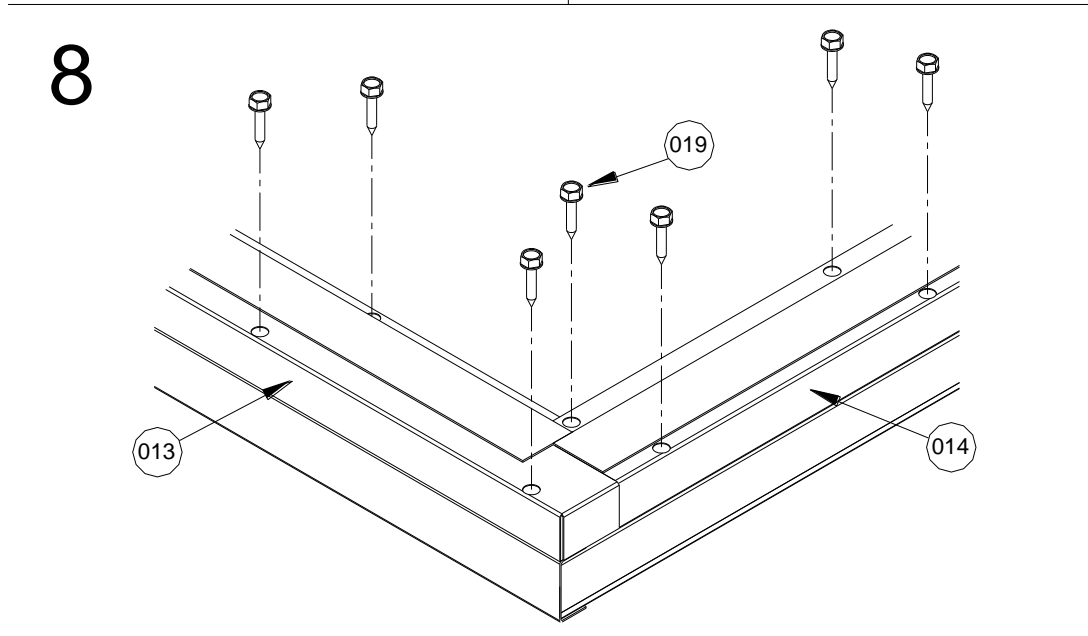
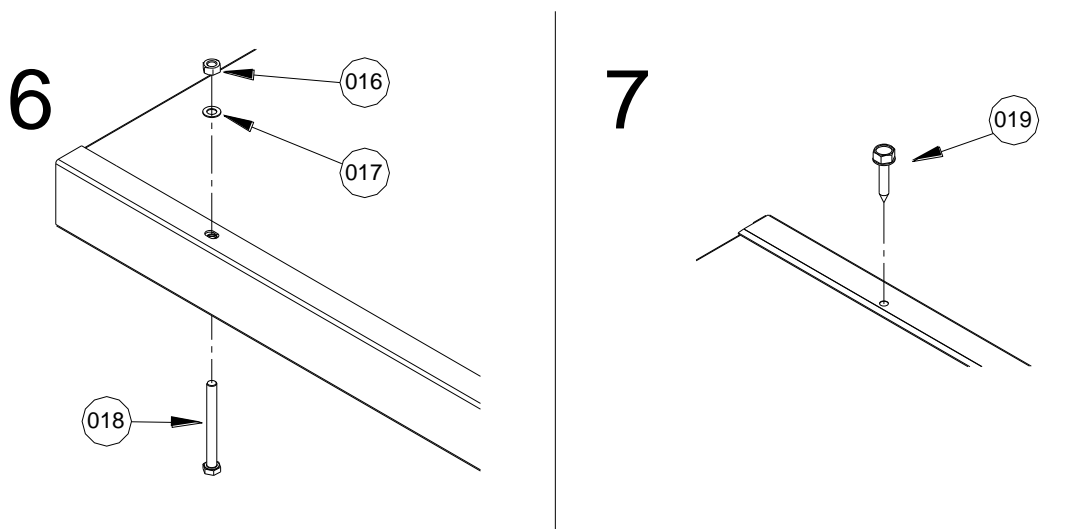
1. Install the door automatics in accordance to the user- and servicing manuals for the door automatics.



1	Track fixture
2	Screw (according to wall type)
3	Dowel (according to wall type)
4	Nut M12
5	Washer M12
6	Track bracket
7	Track
8	First panel
9	Middle panel
10	Last panel
11	Door panel upper cover strip
12	Door panel lower cover strip
13	Door panel horizontal overlay strip
14	Door panel vertical overlay strip
15	40 mm standard cover strip
16	Nut M10
17	Washer M10
18	Screw M10x100
19	Self- drilling screw $\varnothing 4,8 \times 32$
20	Hanger bolt M16
21	Hanger
22	Lock post
23	Screw (according to wall type)
24	Dowel (according to wall type)
25	Plastic cap $\varnothing 19$
26	Horizontal overlay cover strip
27	Dowel (according to wall type)
28	Screw (according to wall type)
29	Vertical cover strip
30	Guide
31	Horizontal overlay cover strip 2
32	Dowel (according to wall type)
33	Screw (according to wall type)

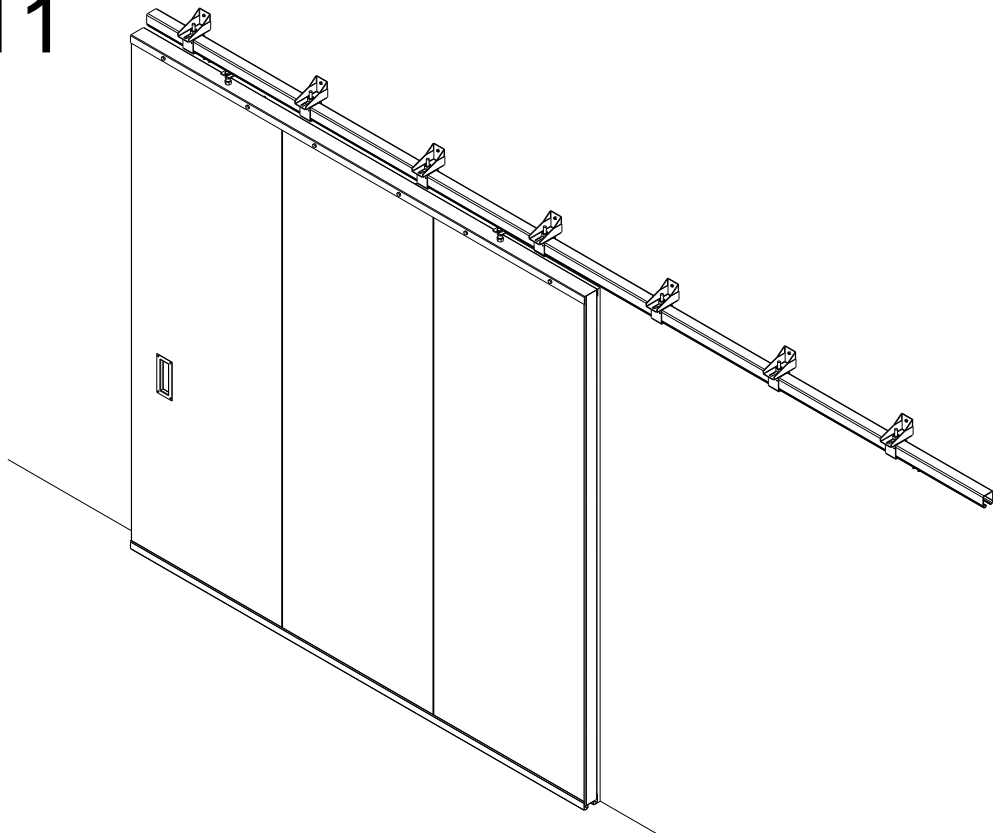




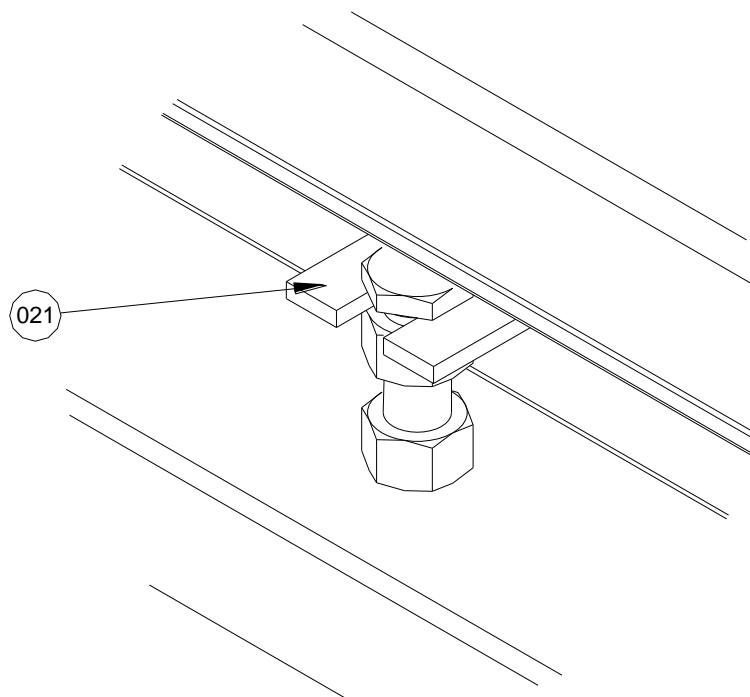




11

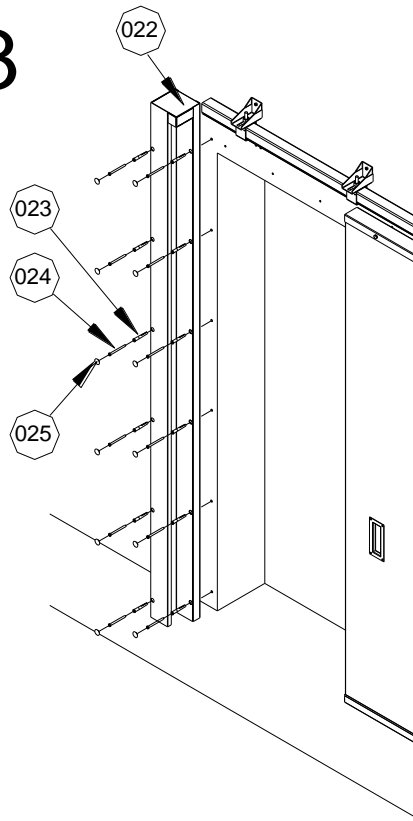


12

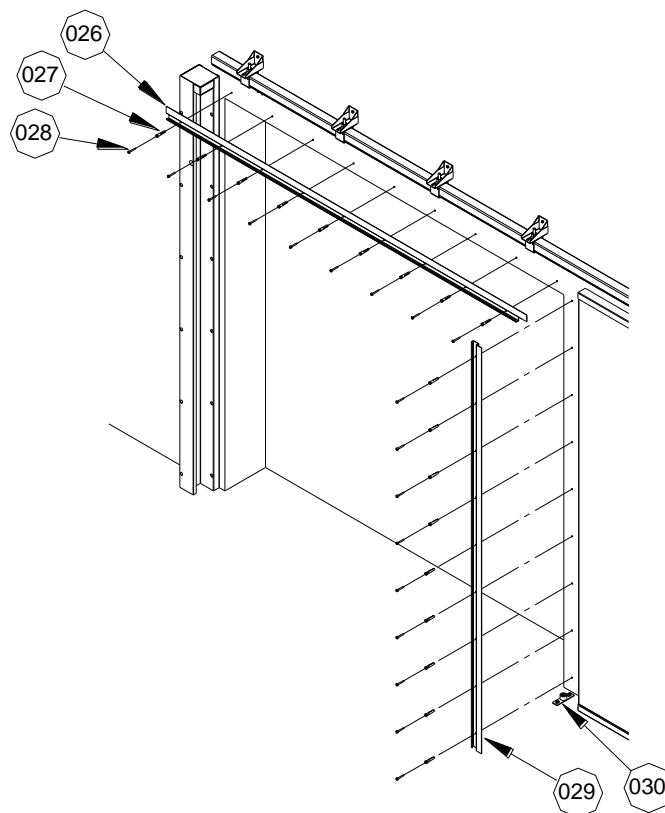




13



14





15

