

## STEEL PROFILE INTERIOR DOOR & WALL

The Forster Presto XS internal profile doors are suitable for private use buildings to divide rooms in an elegant way and to allow high transparency. The unique construction design enables tailor-made modular solutions for a wide range of interior applications. Doors and fixed screens are made of quality steel profiles produced by Swiss manufacturer Forster Profile Systems Ltd.

### Door & wall features

|  |                   |                         |
|--|-------------------|-------------------------|
| Width                                      | max, mm           | 1200/ <sup>2</sup> 2400 |
| Height                                     | max, mm           | 2400                    |
| Width of light aperture                    | frame size - mm   | f-140                   |
| Fire resistance                            | EN 16034, class   | <sup>1</sup> npd        |
| Burglary resistance                        | EN 1627:20, class | <sup>1</sup> npd        |
| Smoke tightness                            | EN 1634-3, class  | <sup>1</sup> npd        |
| Sound insulation                           | EN ISO 717-1, dB  | <sup>1</sup> npd        |
| Resistance to repeated opening and closing | EN 1191, class    | <sup>1</sup> npd        |

<sup>1</sup> no performance declared

<sup>2</sup> double-leafed door

<sup>3</sup> optional

### Finish

- Painted - RAL Classic and NCS color charts

[RAL Classic >](#)

[NCS Colors >](#)

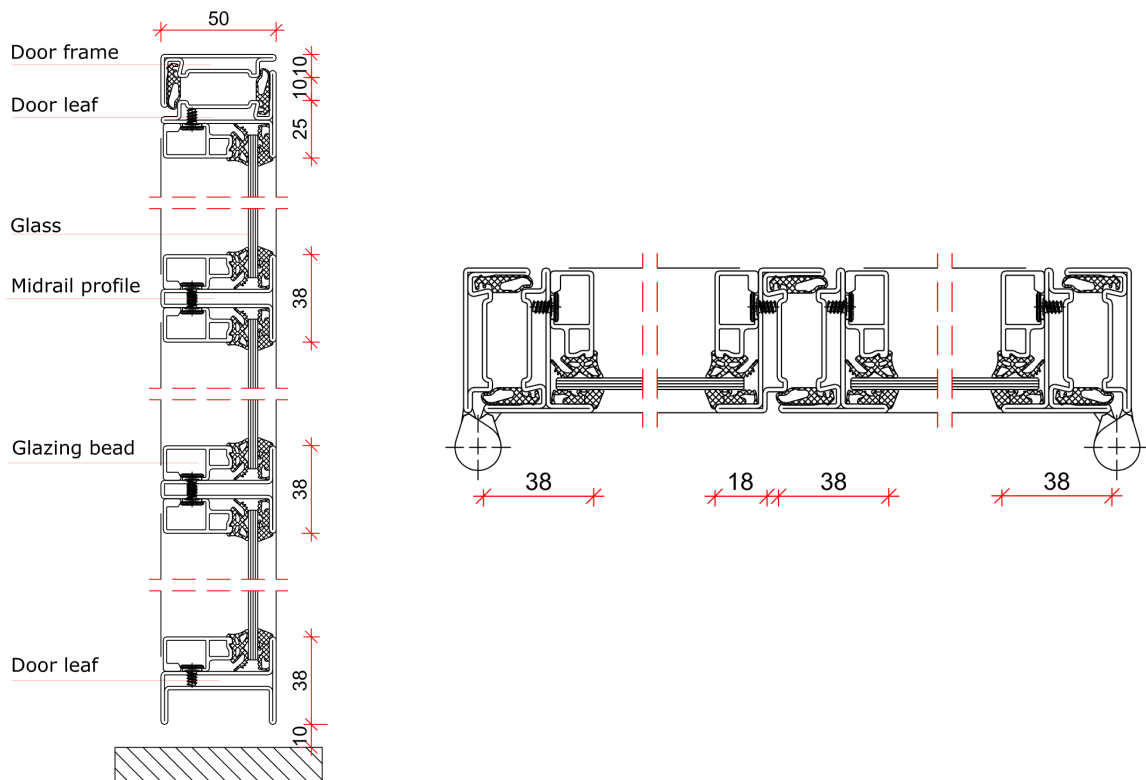
## Construction

|                    |   |
|--------------------|---|
| Profile system     | Presto XS by Forster Profile Systems                                |
| Profile depth      | 50mm steel  |
| Profile insulation | n/a   |
| Hinges             | welded hinges with ball bearings                                    |
| Frame material     | steel   |
| Glazing            | 4 mm hardened   |
| Gasket             | EPDM rubber   |
| Lock               | Double door passive leaf is fixated with Roca AN 849 CR flush bolt. |

## Accessories

- Fixed side part
- Fixed upper part

## Drawings



Contact sales for custom solutions and additional information

Contact >



Please find product certificates on our website

Certificates >



Please find installation and maintenance instructions on our website

Instructions >