









## **Installation manual for security profile door Forster Unico RC3**



### **Attention! General warnings!**

A Series of precautions must be taken to install this product. For safety reasons pay attention to following warnings and instructions! In case of doubt contact the supplier. This manual is meant for experienced installer.

-  This manual includes only the installation of door. Additional elements require separate instructions.
-  Read this manual carefully before installation.
-  Protective gloves are recommended.
-  Parts of the product are heavy.
-  All that is necessary to install this product is included in the package except insulation material between the wall and the frame and support blocks. Adding other elements may affect safety and warranty.
-  Make sure that there is enough light in the installation area. Remove items not necessary and dirt. Unauthorized persons (especially children!) may get hurt if present.
-  Make sure that the wall is strong enough for installation. In case of doubt contact the constructor.
-  If the installation is not in accordance with the instructions and if locks and materials not specified by the manufacturer are used for the door set, the door will lose its performance properties. In this case, the door does not meet its certification and declared properties, and the marking referring to the certificate must be removed from the product by the responsible of the works.

In case of questions contact AS Saku Metall Uksetehas.

## TABLE OF CONTENT

|     |                                      |   |
|-----|--------------------------------------|---|
| 1   | PRODUCT TYPES .....                  | 2 |
| 2   | INSTALLATION .....                   | 2 |
| 2.1 | Fixtures .....                       | 2 |
| 2.2 | Order of installation for door ..... | 2 |
| 2.3 | Glazing .....                        | 5 |

## 1 PRODUCT TYPES

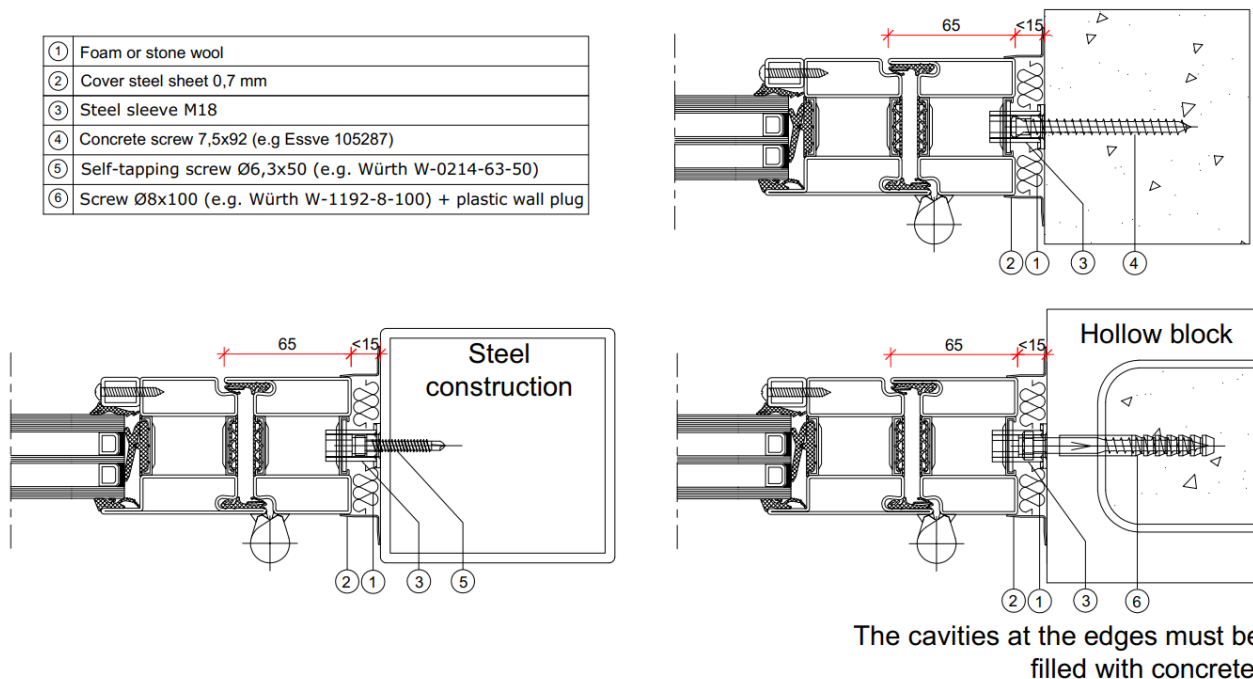
This installation manual covers only following security steel profile products:

- External security steel profile door Forster Unico RC3

## 2 INSTALLATION

### 2.1 Fixtures

For fixing of door frame use M18 steel sleeves with installation screws. Fixing methods are shown on figure 1. For sealing material between construction aperture and profile frame use stone wool or fixing foam.



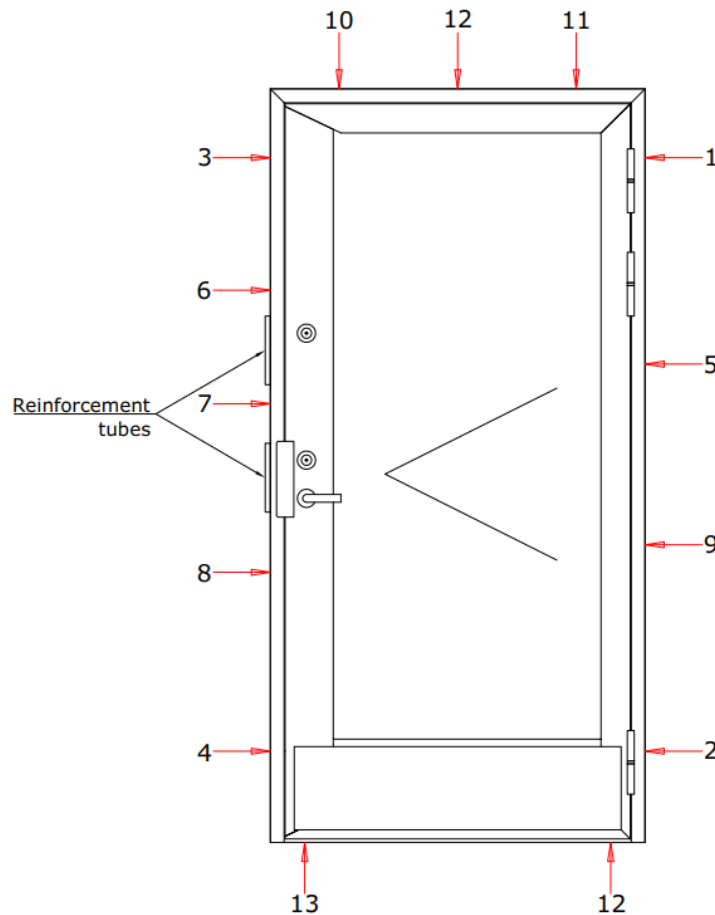
**Figure 1** Typical fastening method

### 2.2 Order of installation for door

- Check the preparation of construction aperture. The greatest allowed width of construction aperture from frame is +30 mm and height +15 mm. In case of larger gaps bring the construction aperture into compliance with the required dimensions.
- Check the presence of fixings and tools.
- Place the frame without the leaf into the construction aperture. Ensure that the frame is supported at the bottom to prevent deformation of the frame during operation. Check levelling of upper profile of the frame. Support the threshold as close as possible to the fixing points, to avoid its excessive bending upon stepping.

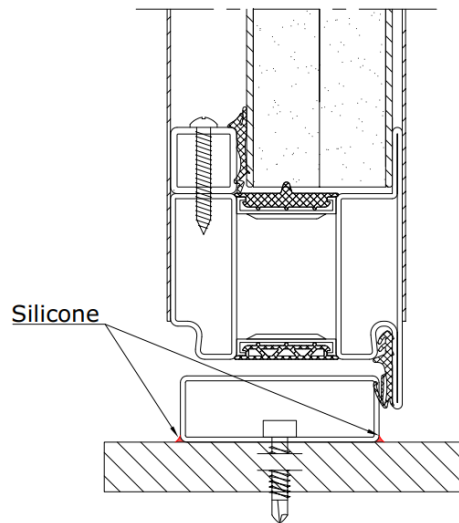


- Level the hinge side of the frame, tighten the first sleeve against wall and drill the hole. Correct sequence of the fixing points is shown in the figure 2.
- At the lock side, the frames reinforcement tubes must be supported against the wall, without any gap.
- Tighten the sleeves against the wall. Frames with sleeves do not require support blocks between the frame and the wall. Use proper fixings for steel sleeves (section 1 Fixtures). Tighten the screws.  
Do the same with fixing spots number 2 and 3. Check vertical position of the frame side surface.



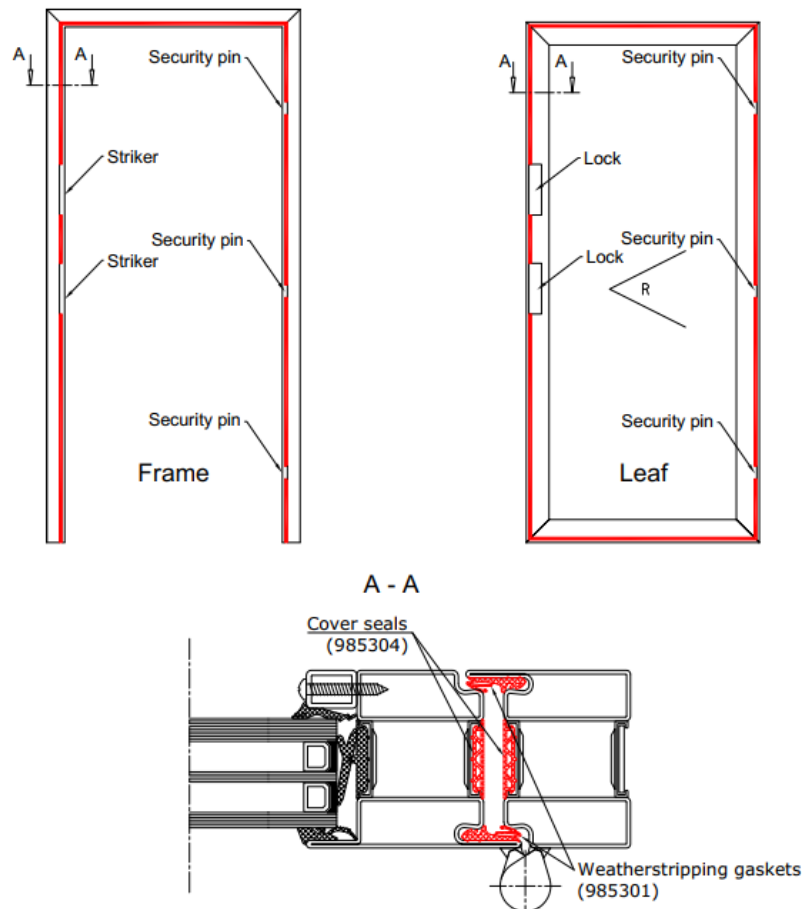
**Figure 2** Sequence of the fixing points

- Lift the door leaf onto the hinges and check the parallelity between leaf and frame. If necessary, adjust the screws (or steel sleeves).
- Fix the frame with remaining fixing points (Figure 2). Tighten the screws.
- Seal the gaps between wall and frame. For sealing material use fixing foam or stone wool.
- Use silicone to seal the gap between threshold and floor (Figure 3).



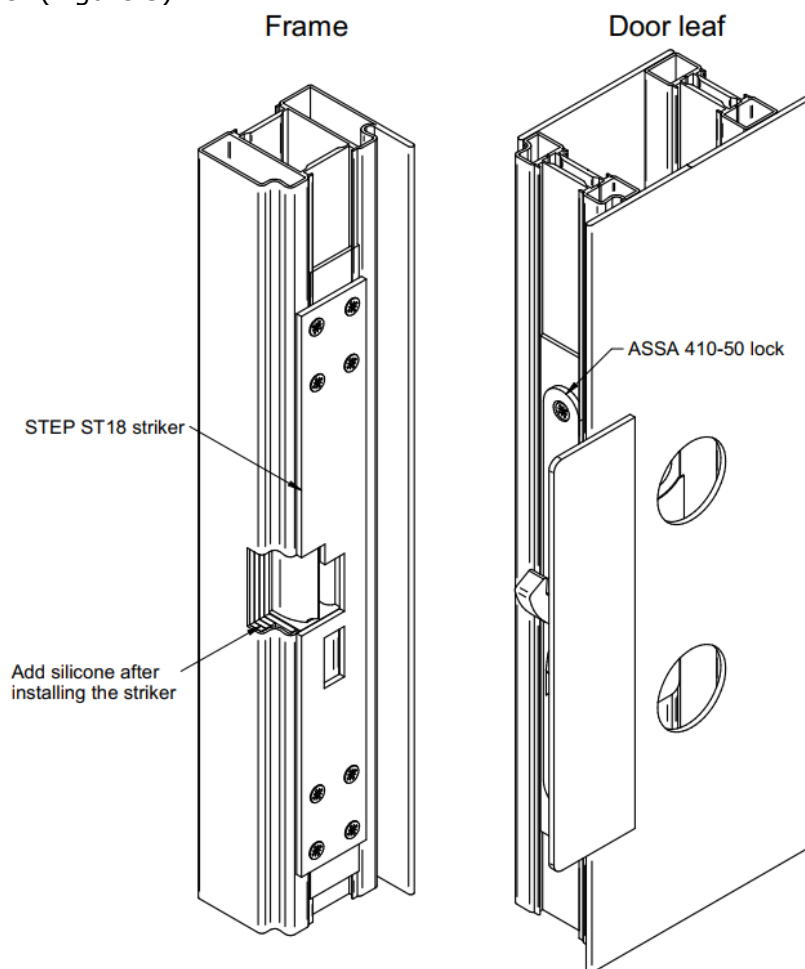
**Figure 3** Threshold sealing

11. Sealed gaps must be covered with steel sheets, plaster mixture or construction boards.
12. Install the cover seal to the frame, starting from lower point of the frame. Do not cut the seal at the frame corner, it may be only cut near the lock and security pins. Cut the seals 1 cm longer than the frame gap length and install it to its place (Figure 4).
13. During installation, make sure, that the weatherstripping gasket is installed in the right direction (Figure 4).



**Figure 4** Installation of cover seal 985304

14. Install locks (and other hardware) according to the installation manual. Fix handles to the lock and check closure and operation of lock cylinder (and latch bolt) with opening and closing of door. Check opening of lock with keys. **NB! Make sure that all the hardware is suitable with the products security class.**
15. When installing the striker Stendals EI AB STEP ST18, use silicone to fill the gaps between frame and striker (Figure 5).



**Figure 5** Silicone for the STEP ST18 striker

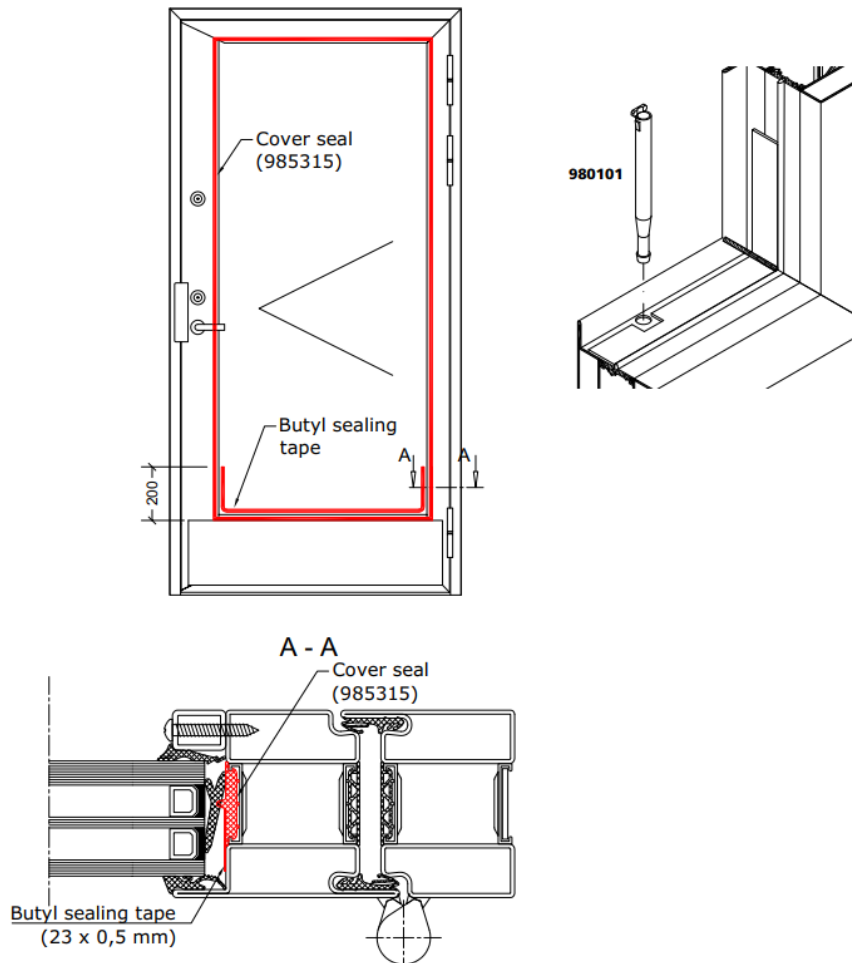
16. Check with induction tester that the product is not under voltage. Otherwise switch off the power and ground the product. Electrical operations can be performed only by a qualified electrician. AS Saku Metall Uksetehas does not perform electrical operations.

### 2.3 Glazing

Doors are usually glazed at AS Saku Metall Uksetehas, but in case of glazing on construction site follow these steps:

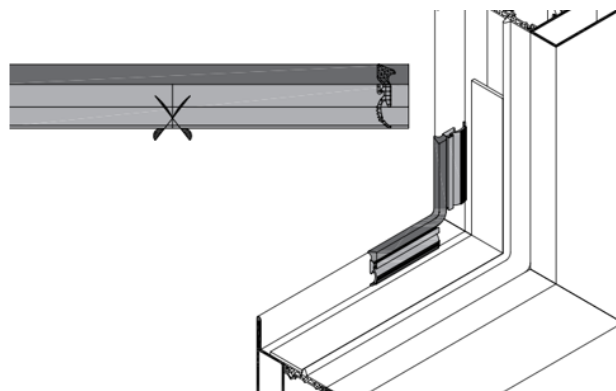
Glazing installation sequence:

1. Clean the dust and dirt from the glazing opening.
2. Install the Unico Hi cover seal to the glazing opening and butyl sealing tape (23 x 0,5 mm) at the bottom of the opening. Butyl tape mustn't cover the drainage pipe (980101) in the horizontal profile, make cutouts for these (Figure 6).

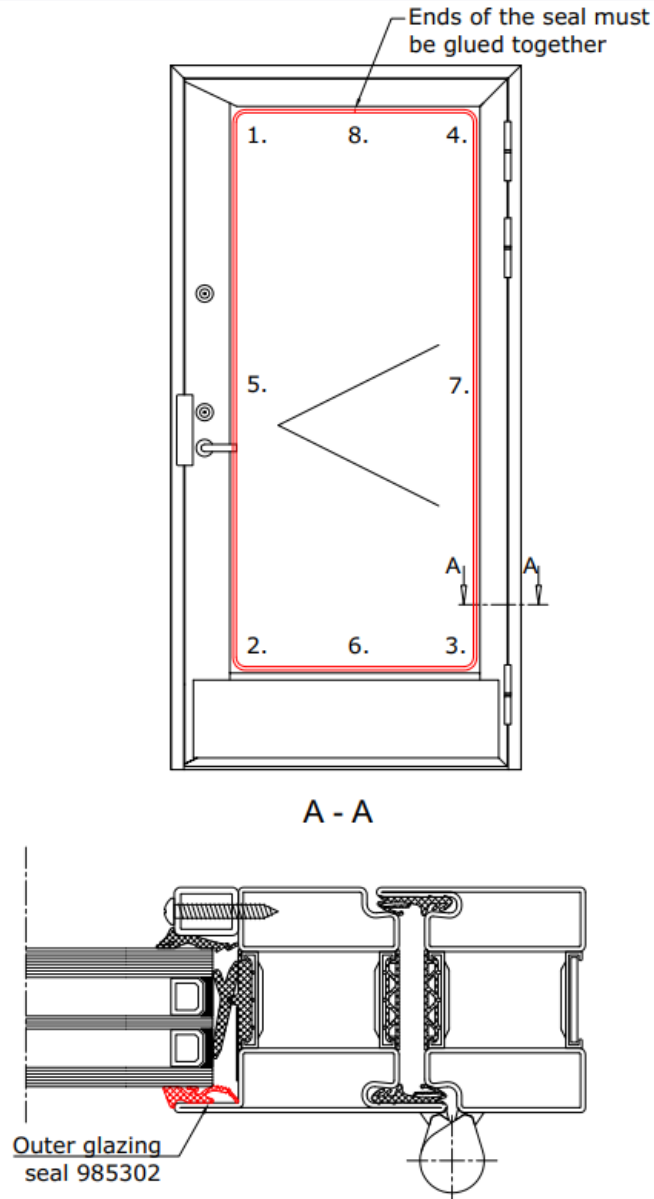


**Figure 6** Installation of Unico Hi cover seal 985315 and butyl sealing tape

3. Install the outer glazing seal. Cut the seal until the soft part and the fix it to the frame (Figure 7). First install the seal corners and then the middle parts. The seal end must be finished at the top on the frame and glued together with contact glue (Figure 7 and 8).



**Figure 7.** Cut of the outer glazing seal 985302



**Figure 8.** Installation order for the outer glazing seal 985302

4. Glue the aluminum glazing bridges on to the frame and then place the plastic glass supports on top of them (Figure 9).

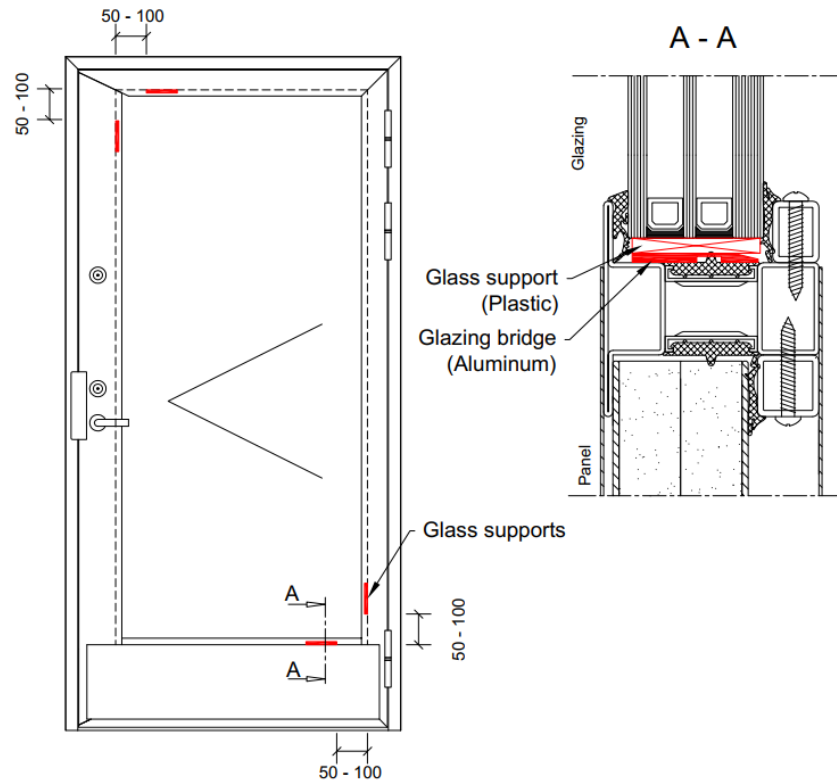


Figure 9 Glass supports

5. Lift the glass on to the glass supports, then check that the gaps between the frame and glass are equal at both sides. Be sure to follow the instructions provided by the glass manufacturer (e.g. for insulating glass units, it is important to check which side of the glass is facing outwards / inwards).
6. Install the Unico Hi insulation wedge 985314 and make cutouts for glass bridges (Figure 10).

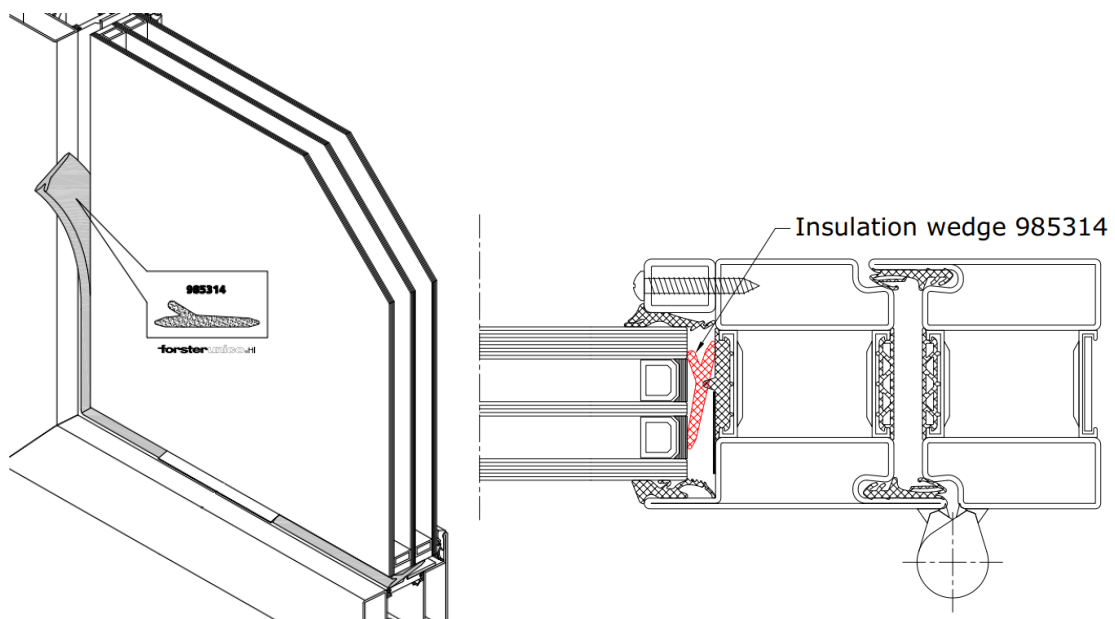
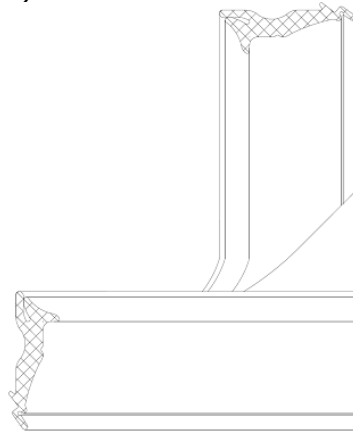


Figure 10 Unico Hi Insulation wedge 985314

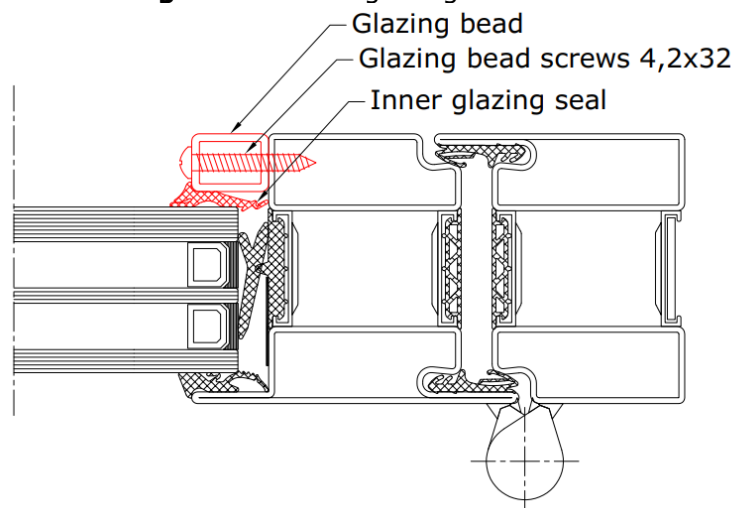




7. Install the inner glazing seals. First glue the vertical seals onto the glazing beads and cut the ends of the seals to 45 degrees, with additional length (Figure 11). Install the horizontal glazing beads and then the vertical beads between them. Glazing beads are installed with 4,2 x 32 mm screws (Figure 12).



**Figure 11** Inner glazing seal corners



**Figure 12** Glass installation